



Vision 2x6

UNITS: 2
EGGS/UNIT: 6
MATERIAL: r-pet
PROCESSING: vacuum formed

CALIBER:
53g - 73g

certified according to BRC/IoP
Global Standard-Packaging

LAYER STRUCTURE

3 Boxes/Layer

TRUCK LOADING

Pieces/Box	360
Pieces/Pallet	8640
Pallets/Truck	30
Pieces/Truck	259200

MACHINE SETUP

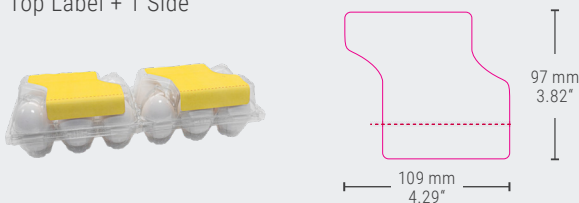
MOBA
Moba ID: OVE2601
Remarks: WITH ARBOR

STAALKAT
SANOVO
Code OVN 43

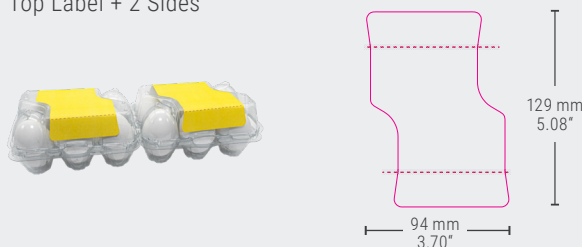
L	G	J	I1	I2	jaw
15	23	5	10	40	898

DECORATION

Top Label + 1 Side



Top Label + 2 Sides



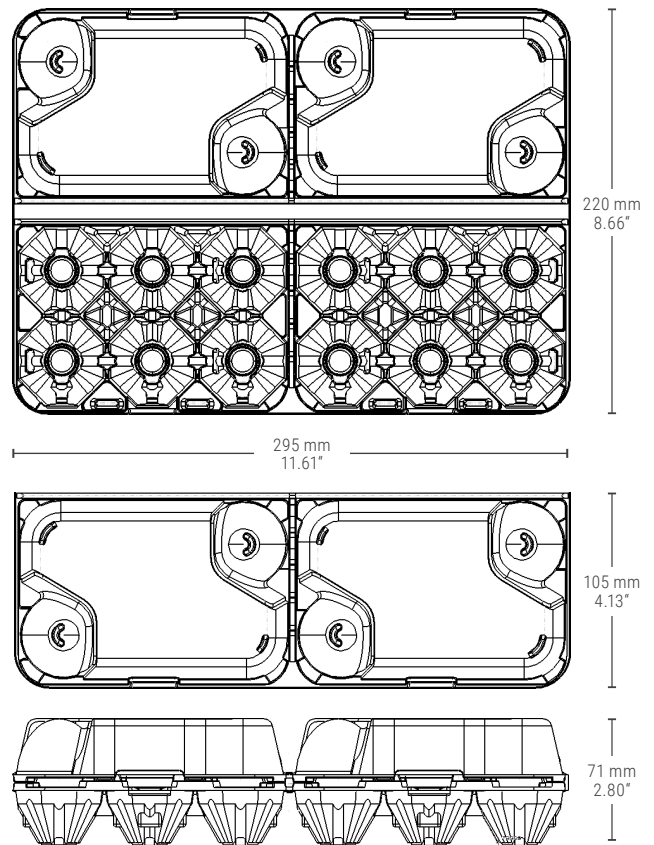
BOX DIMENSIONS

780 x 446 x 306 mm (L x W x H)	
30.71" x 17.56" x 12.05" (L x W x H)	
Net Weight (kg)	14.15
Box Weight (kg)	0.70
Gross Weight (kg)	14.85
Volume Box (m ³)	0.106

CONTAINER LOADING

20"	98280 pcs.
40" HC	224640 pcs.

PACK DIMENSIONS



STORAGE

Pallet Dimensions (mm) 1345 x 800 x 2580
Pallet Dimensions (inches) 52.95" x 31.50" x 101.57"
max. 1 year

NO pallet on top of the other

max. +40°C
min. +10°C

Do NOT expose to sunlight