

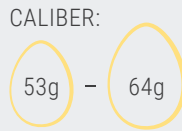
DATASHEET

# Vision 1x15 AP



# Vision 1x15 AP

UNITS: 1  
EGGS/UNIT: 15  
MATERIAL: r-pet  
PROCESSING: vacuum formed



## LAYER STRUCTURE

2 Bags/Layer

## TRUCK LOADING

Pieces/Bag	400
Pieces/Pallet	7200
Pallets/Truck	28
Pieces/Truck	201600

## MACHINE SETUP

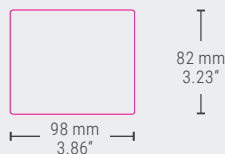
MOBA  
Moba ID: OSC1503  
Remarks: **WITHOUT ARBOR**

STAALKAT  
SANOVO  
Code OWN 46  
with carton  
cover closing  
No.: 84 10 90

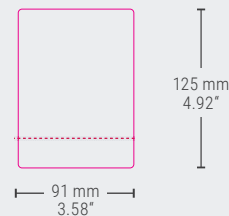
L	G	J	I1	I2	jaw
39	11	25	10	40	898

## DECORATION

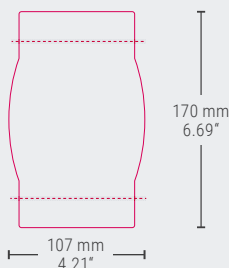
Top Label



Top Label + 1 Side



Top Label + 2 Sides



## BAG DIMENSIONS



780 x 625 x 245 mm (L x W x H)  
30.71" x 24.61" x 9.65" (L x W x H)

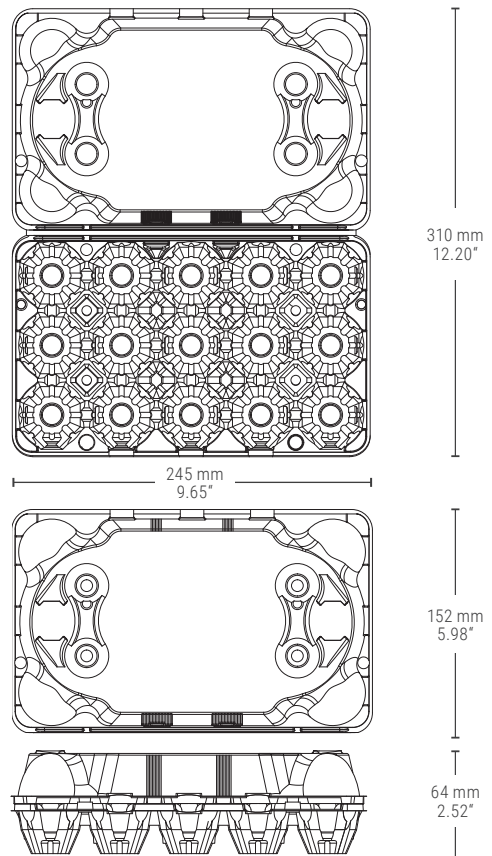
Net Weight (kg)	16.08
Bag Weight (kg)	0.15
Gross Weight (kg)	16.23
Volume Bag (m <sup>3</sup> )	0.119

## CONTAINER LOADING



20"	97200 pcs.
40" HC	240000 pcs.

## PACK DIMENSIONS



## STORAGE



Pallet Dimensions (mm) 1250 x 800 x 2335  
Pallet Dimensions (inches) 49.21" x 31.50" x 91.93"  
max. 1 year

NO pallet on top of the other

max. +40°C  
min. +10°C

Do NOT expose to sunlight